



For Special Pricing Contact:  
TheOfficePeople.com  
843 769 7774

Making Work Better

# EDUCATIONAL Solutions





# Table Of Contents

**VIRCO** ..... 3  
 4000 Series Activity Tables  
 785 Series Student Desks  
 Classic Series Stack Chairs & Chair Desks  
 Zuma Floor Rockers  
 3000 Series Stack Chairs & Chair Desks  
 Zuma Series Stack Chairs & Desks

**DESKS** ..... 6  
 Administrative  
 Student

**TABLES** ..... 12  
 Folding  
 Mobile Lectern

**SEATING** ..... 13  
 Administrative  
 Student

**DIVERSIFIED** ..... 18  
 Lab Furniture

**STORAGE** ..... 19  
 Laminate Cubbies  
 Laminate Bookcases  
 Steel Bookcases & Vertical Files  
 Pedestals & Wire Racks  
 Laminate Lateral Files  
 Steel Lateral Files  
 Laminate Cabinets & Wardrobe  
 Steel Storage Cabinets

**ACCESSORIES** ..... 25-27  
 Safeguard Barrier  
 ViZual Boards  
 OS Power Strip  
 OS Power Module  
 Wireless Charger





# VIRCO - SPECIAL ORDER

## ACTIVITY TABLES & 785 SERIES DESKS

### 4000 SERIES ACTIVITY TABLES

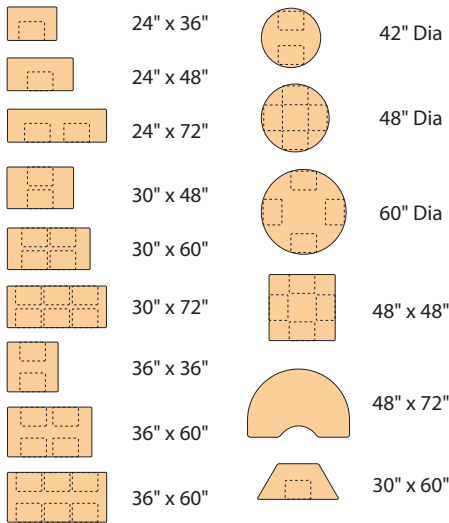
These activity tables are perfect at home, in the classrooms, training rooms, workrooms, and mail rooms. They are the ideal table for collaborative learning environments. Available in 25 sizes and shapes, you can create a look that will make your space unique. Start collaborating today, when you choose the 4000 Series Activity Tables.

**VIRCO 10 YEAR WARRANTY**



#48KID72

**AVAILABLE IN FIVE LAMINATE FINISHES & TWO UPPER FRAME FINISHES**



Sturdy 1 1/8" Thick Table Tops. Table Edges Are Cushioned With Protective T-Mold Banding.

#4848R

### 785 SERIES STUDENT DESKS

- Adjustable height
- Open front desk top
- Strong, durable tubular steel frame
- Built-in plastic black book box
- Top available in two desk surface finishes
- Base available two metal finishes
- Sold (2) Per carton
- Perfect for any classroom

High Pressure Laminate Tops



#785



#785

**VIRCO 10 YEAR WARRANTY**

# VIRCO - SPECIAL ORDER



## CLASSIC SERIES & ZUMA FLOOR ROCKERS

**VIRCO 10 YEAR WARRANTY**



#9700BR



#9400BR



- Stout, tubular 1 1/8" steel frame
- Choose between a space-saving tablet arm or go with a larger work surface
- High-pressure laminate work top
- Steel rod book rack underneath seat

## CLASSIC SERIES CHAIR DESKS



**STACKS  
HIGH**



- Constructed from high quality, durable, long-lasting injection-molded polyethylene
- Tubular steel frame with one-piece molded shell
- Sold (4) Per Carton
- Available in a variety of bright colors & finishes

## CLASSIC SERIES STACKED CHAIRS

**VIRCO 10 YEAR WARRANTY**



#ZFLROCK18



#ZFLROCK15

**AVAILABLE IN MANY VIVID COLORS!  
PERFECT FOR A LIBRARY OR CLASSROOM!**



**VIRCO 10 YEAR WARRANTY**

## ZUMA SERIES FLOOR ROCKER



# VIRCO - SPECIAL ORDER

## 3000 SERIES & ZUMA STACK SERIES



STACKS  
4  
HIGH

Virco's 3000 Series chair and chair desk models resist stains and scratches, and are also remarkably chip-resistant. Their easily-cleaned hard plastic surfaces retain a bright, fresh look year after year.

### VIRCO 10 YEAR WARRANTY

- Available in long-lasting, bright colors with a chrome frame and base
- Tubular steel frame with Nylon glides
- Colorfast, flameproof and scratch-resistant hard plastic seating and back



## 3000 SERIES STACK CHAIRS

- Stout, tubular steel frame
- Choose between a space-saving tablet arm or go with a larger work surface
- Fortified Recycled Wood (FRW) hard plastic seat and back
- Models are available with a FRW™ hard plastic work surface
- Steel rod book rack underneath seat

### VIRCO 10 YEAR WARRANTY



#3400BRM



#3700BRM

## 3000 SERIES CHAIR DESKS

The Zuma Series bridges the gap with seating that offers ergonomic support, playful style and durable construction. Student desks come with an adjustable 22"-34" high work surface, these stylish desks are available with nylon-base glides.

### VIRCO 10 YEAR WARRANTY



10"

#ZU410

13"

#ZU413

15"

#ZU415



#ZADJ2026M

18"

#ZU418

## ZUMA SERIES STACK CHAIRS & DESKS

# DESKS

## ADMINISTRATIVE



#OSTDM6030



#OSTDM6030



#OSTSM4830



#OSTSM4830



ROUNDED DESK CORNERS



## WHITLEY

The Whitley is a practical desk solution for any educational environment. The T-mold edge promotes safety while the laminate provides a durable scratch and stain resistant surface that is easy to clean and disinfect. Four casters add mobility and allow for easy classroom reconfiguration.



#SGLHDOS104



#DBLHDOS103



#DBLFDOS103



#SGLHLOS103



#DBLHLOS103



#DBLFLOS103

## OS LAMINATE

Available in a wide range of components and sizes, it can be easily pieced together to create the configuration that best suits your needs for any educational setting. Attention to detail in design, quality of hardware and use of premium grade laminate work surfaces ensure years of trouble-free use.

# DESKS

## ADMINISTRATIVE



## RALEIGH

A durable solution for long-term heavy use, the Raleigh is a professional solution for business, government, and school administrative offices and classrooms. The laminate work surface makes it easy to clean and disinfect.



## BEDFORD

These modular desks are a flexible, freestanding desk solution that offers multiple configuration options to fit an array of workspace needs. The pedestal desk and credenzas comes with sleek arch handles. The laminate work surface makes it easy to clean and disinfect.

# DESKS

## ADMINISTRATIVE

#TYPICAL OSTYP164



#OSTHAT5172  
*User Side*

**GREAT FOR PRINCIPAL OFFICES  
OR CLASSROOMS TO PROMOTE  
HEALTHIER LIFESTYLES  
WHILE LEARNING**



## HEIGHT ADJUSTABLE DESKS

Incorporating height adjustable desks into your office environment offers numerous health and productivity benefits. Alternating between sitting and standing throughout the day helps reduce the risks associated with prolonged sitting, such as cardiovascular disease, obesity, and back pain. Height Adjustable desks are easy, quick and quiet to operate and offer the optimal vertical range to accommodate people of all sizes.



#TYPICAL OSTYP356



#OSHA2004  
*User Side*



MANY OPTIONS  
AVAILABLE IN  
2-STAGE  
& 3-STAGE

#OSHA2001  
*User Side*

Available in Matte Black or Silver



# DESKS

## STUDENT



#OSSN6902



HOOK SLIDES OUT FOR BAG

**THIS DESK ALSO HAS A BUILT-IN PENCIL HOLDER & MODESTY PANEL FOR PRIVACY**

STACKS  
HIGH  
6 ↑



*(Ganging hardware included for desks)*

## MARIO

This student stackable desk from the Mario is a perfect alternative to an ordinary and bulky classroom desk. Coming in charcoal plastic, this desk looks sleek while also being both durable and easy to maintain. Able to be broken down, stacked six high, and stored away, this desk is compact and leaves space for other activities. Not only good for the classroom, this student desk is a great solution for home schooled children or for parents who want a space at night for their children to complete homework.

## OS TRAINING TYPICALS



## #TYPICAL OSTYP27



#OSTLF60  
User Side



OPTIONAL  
MODESTY PANEL

#OSLFMOD60

LEVELING CAPABLE  
DUAL WHEEL CASTERS



# DESKS

## STUDENT

### OS TRAINING TYPICALS

Create a great functional space with these training tables that are as durable as they are versatile. When you need to transform an open space into a conference room, a training room, or perhaps a debate area for a school function, you'll find this office furniture will easily meet all of your needs. For maximum customization, the table tops in these typicals are offered in nine great finish options, and the bases are available in multiple finish options.



#TYPICAL OSTYP14



#OSBF60  
User Side



#TYPICAL OSTYP19



#OSTLEG30

### RECTANGULAR TOP



*(We have a wide variety of several Top & Leg Base Styles in different finishes!)*



#OST2436 / #OST2442 / #OST2448 / #OST2460 / #OST2466  
#OST2472 / #OST3048 / #OST3060 / #OST3066 / #OST3072 / #OST3672

# DESKS

## STUDENT



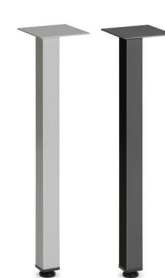
#OSBF48 / #OSBF60 / #OSBF72



#OSTLF60 / #OSTLF72



#OSFTLEG24/ #OSFTLEG30



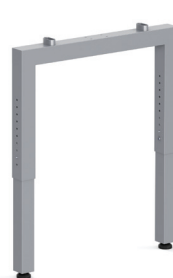
#OSTSQPOSTLEG



#OSTLEG24 / #OSTLEG30



#OSPOST28G / #OSPOST28C



#OSTULEG2485H



## OS TRAINING TABLES

Training Tables by OfficeSource® provide convenience and flexibility to any workstation, whether it be in a work environment or a classroom. These Training Tables by OfficeSource® feature 7 base options, several top sizes, and 9 finishes giving you the ability to configure them your way! Not only are these tables super customizable, but they also have such a simple yet sophisticated style to them that they can match any space.



#TYPICAL OSTYP320



#OSTLF72  
User Side

# TABLES

## FOLDING



#R2448RD - R SERIES STYLE  
Fixed Height

**LEGS ADJUST TOP HEIGHT FROM 22" TO 32" IN ONE INCH INCREMENTS  
(FOR ADJUSTABLE HEIGHT ONLY)**



#RA3060GN - RA SERIES STYLE  
Adjustable Height



BLUE W/BLACK FRAME



YELLOW W/BLACK FRAME

**AVAILABLE IN VARIOUS SIZES!**

## COLORFUL BLOW MOLD

- Heavy-duty construction that will not wear or scratch
- Light-weight, waterproof & virtually indestructible
- One-piece, blow-molded plastic that resists damage from paint remover, gasoline, drain cleaner & more
- Available in four color options such as red, green, yellow or blue with black steel frames

**PERFECT FOR  
INDOOR OR OUTDOOR USE**

**AVAILABLE IN VARIOUS SIZES!**



#OSFBM3060GR



#OSFBM71RGR

**TABLE CARTS AVAILABLE  
FOR ALL SIZES**

**- MAKES STORAGE & MOVING  
MUCH EASIER!**



RECTANGULAR TABLE CART



ROUND TABLE CART

## BLOW MOLD TABLES

Blow Molded Folding Tables are strong, durable and lightweight. Perfect for indoor or outdoor use, these tables are constructed of durable plastic that will not chip, crack or warp. Surface resists stains and cleans with mild dish soap. Legs and support structure are powder coated heavy gauge. The tables are 40% lighter than comparable wood tables.

# TABLES

## FOLDING & LECTERNS



#CF2448MOB  
Shown In Medium Oak



#CF60MRBM  
Shown In Black Granite

DON'T FORGET YOUR CART!



**AVAILABLE IN FOUR FINISHES  
& FRAMES PLUS VARIOUS SIZES!**



#CF1860MWB  
Shown In Walnut

## MELAMINE TABLES

- Melamine table top on 5/8" high density particle board core
- 1", 18 ga. steel pedestal legs on rectangular tables
- 1 1/8", 14 ga. steel wishbone legs on round tables
- Economical choice for light-duty educational use



#OS216



## MOBILE LECTERN - Coastal Gray, Espresso & Mahogany Only

This mobile lectern is the perfect addition to any lecture space or any area where speeches or presentations are given. With an adjustable shelf and a top shelf that can be flat for a laptop or projector, or angled for convenient reading of papers, you will be able to present with total ease. Casters help keep this lectern mobile, for use in all kinds of spaces.

# SEATING

## ADMINISTRATIVE



#1501V

### MERAK

- Chrome frame & base with twin wheel casters
- Available in four colors; black, gray, white & caramel
- Stylish chrome arms with upholstered arm rests
- Upholstered in PU leather



#696V

### STUDIO

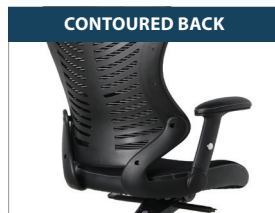
- Ribbed back & seat cushion with 27" chrome base
- Available in four colors; black, gray, white & red
- Upholstered in PU leather
- Stylish and ergonomic seating with tilt controls



#C12MBFSM

### COSTA

- Built-in lumbar support with a black frame
- Features seven ergonomic adjustments
- Contoured back for optimal comfort
- Upholstered in black mesh for seat & back



#OSTW8006

### STARLIGHT

- Wide & comfortable molded seat cushion
- Synchro-tilt mechanism with other functions
- Available in Luxe, Max & Basic versions
- Upholstered in fabric, PU leather or black leather





#OSTW8001

### ORION

- Lumbar support with tilt tension controls
- Height adjustable armrests
- Nylon mesh back provides cooling ventilation
- Upholstered in black mesh seat & back



#600MMFBK

### OSLO

- Breathable polyester mesh back
- Available in black or dark gray fabric seating
- Nylon hard back frame and base with casters
- Synchro-tilt mechanism & various other functions



#OSTW8017

### FINN

- High-quality linear black mesh back
- Adjustable lumbar support & other functions
- Available in black fabric or antimicrobial vinyl
- Flip-up arms for enhanced maneuverability



#OSTW8905

### COOLMESH BASIC

- Sturdy black frame with multiple chair functions
- Available in various colors for seating options
- Choose from fabric, mesh, top grain leather or PU leather
- Adjustable arms with padding

# SEATING

## STUDENT



### JOLA

Looking for the perfect seating for breakroom or collaborative space? Look no further than the Jola collection. Available in two striking upholstery colors with unique stitching detail and a contemporary pass-through seat design, Jola is sure to make a statement.



### SHAY & ROWAN

Bring modern flair to your breakroom or Café with our sleek bentwood chair. The smooth curves are designed for comfort, supported by chrome-plated steel legs for durability. A protective PU-coated wood veneer finish ensures lasting beauty, while the chic cutout in the back doubles as a convenient handhold for easy movement. Stackable up to 4 chairs high, packed 2 per carton.



### STACKED SEATING

- Extremely durable, chrome metal frame
- Slim, stylish & lightweight design
- Stacks 12 High; Stacks 16 High on dolly
- Available in five colors to choose from



### SLASH

- Stacks 4" High; Perfect for any educational facility
- Durable, polypropylene all-in-one seat & back shell
- Sturdy, chrome frame with nylon floor glides
- Available in three colors; black, navy blue & gray



(Ganging hardware included for chairs.)



#OSSN6901



STACKS  
6 HIGH

### MARIO

- Armless, stackable chair that stacks 6" High
- Charcoal plastic seat & back with chrome frame
- Durable & easy to maintain
- Perfect for cafeterias & classrooms



#OSSN6908



#OSSN6909

### AERO

- Available with arms or an armless model
- Durable titanium metal frame
- Available in a black fabric seat with hard, perforated back
- Stacks 4 High with or without casters

**GREAT FOR ASSEMBLY HALLS & GYMS!**



#OSGS4902

#OSGS4903V

### STEEL FOLDING CHAIRS

- Sold (4) Per Carton
- Steel construction for longevity
- #OSGS4902 available in black or gray
- #OSGS4903 available in black only with padded seat



#OSGS4904



### BLOW MOLD CHAIR

- Contoured seat & back with two support braces
- Holds up to 275 lbs.
- Folds flat for easy storage & travel
- Non-marring leg tips protect floor surfaces

# DIVERSIFIED - SPECIAL ORDER

## LAB FURNITURE



### KINETIC 5' INSTRUCTOR DESK

Complete demonstration center constructed of solid oak hardwood and oak veneers. It is finished with a chemical resistant, earth-friendly UV finish. Included are four drawers (three small, one file), and a large cupboard. The drawers are expertly crafted from the finest materials with dovetail joinery throughout. Drawers run on epoxy coated steel glides with nylon bearings for smooth operation. All units come with a GFI protected AC duplex receptacle. Unit comes with combination cold water/gas fixture, and polypropylene trap. Comes standard with pull out writing board, support rod with crossbar, rubber base molding and locks for cupboard and all drawers.



### PERPETULAB WOODEN LEG TABLES

These tables are built for years of dependable service. Legs and aprons are constructed of solid red oak. They are finished with a chemical resistant, earth-friendly UV finish. Aprons are constructed of solid red oak and are 13/16"D x 41/2"H with heavy-duty 13-gauge steel corner braces. 21/4" square solid oak legs, with 5/16" hanger bolts installed, are attached to apron with nuts and washers supplied. All tables are equipped with non-skid adjustable glides for precise leveling and for prevention of rocking on uneven floors. Tables are supplied with black rubber leg boots which offer protection against scuffing and chemical spills. Weight capacity of 500 lbs.



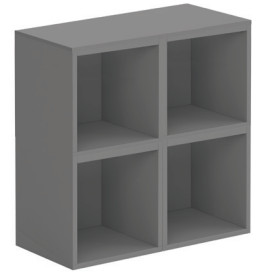
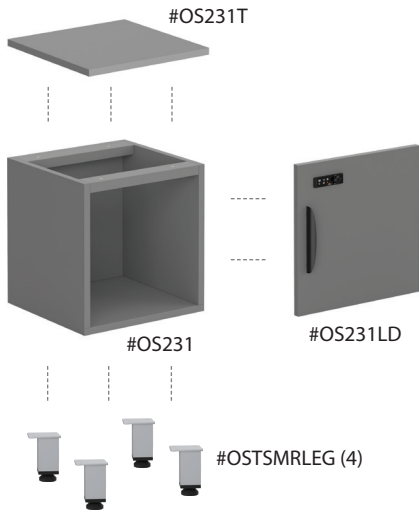
### FORWARD VISION™

This popular workstation allows four students to work at a single station while all are facing the teacher. The unique design leaves enough room to store four stools (not included) under the workstation. Sink units come with two combination cold water/gas fixtures. It comes with two GFI electrical outlets, and ample storage. The door cabinet comes with two adjustable shelves. The station is finished with a chemical resistant, earth-friendly UV finish. 2946K only comes with doors, lock included.



# STORAGE

## LAMINATE



LAMINATE CUBBIES CAN BE USED WITH OR WITHOUT DOORS & MINI-LEGS

**MINI LEGS REQUIRED WHEN CUBBY INCLUDES DOOR AND IS SET DIRECTLY ON FLOOR**

## LAMINATE CUBBIES

The Laminate Cubby Square Open Cabinet offers convenient, space-saving storage. With the ability to stack three high and an almost limitless number wide, you can create the perfect storage solution for your space. The durable laminate finish resists scratching.



#OS160



#OS161

## CORNER BOOKCASES



#OS154



#OS155



#OS156



#OS156

#OSBCDK

## LAMINATE BOOKCASES

Bookshelves should be on everyone's list of office furniture; they make life easy by adding a new dimension to your storage needs. These bookcases are available in your choice of nine attractive laminate finishes.

# STORAGE

## STEEL



#QSOSB2SLF82



#OSB2SLF72



#QSOSB2SLF60



#QSOSB2SLF42



#QSOSB2SLF30

## STEEL BOOKCASES

- Durable, fully welded steel construction is perfect for classrooms, libraries, storage closets, and teacher offices
- Available in three colors that are Quickship capable; putty, light gray & black
- Each bookcase has a 200 lb. shelving capacity; shelves are adjustable in 1" increments
- Fully assembled with GreenGuard certification



#OSV2LT25

#OSV4LT25



#QSOSV2LG25

#QSOSV4LG2



#QSOSV5LG26H

**VARIOUS OTHER  
LETTER & LEGAL  
SIZES AVAILABLE  
IN 25" & 26" DEEP!**

## STEEL VERTICAL FILES

- Constructed with high quality, heavy-duty durable steel construction that is easy to clean & disinfect
- Ships fully assembled; GreenGuard Gold Certified
- Available in three colors that are Quickship capable; putty, light gray & black
- Various sizes to accommodate letter & legal files with aluminum handles & label holders

# STORAGE

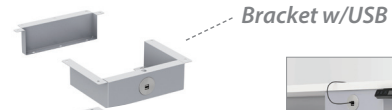
## PEDESTALS & WIRE RACKS



#OSCP5FF

#OSCP5BBF

#OSCP5BF



Bracket w/USB



#OSCMPBF



#OS1007

(Shown w/Optional Top Cushion)



#OS148



#OS149

Casters Hidden Behind  
Laminate  
At The Bottom



OPTIONAL CASTERS

#OSCPPCASTERS  
(Metal Pedestals Only)

## MOBILE PEDESTALS

- Pedestals are available in a wide range of components & various sizing; can easily be matched to any setting
- Laminate pedestals are available in nine elegant finishes with various pull options
- Metal pedestals are available in five finishes; black, charcoal, silver, light gray & white
- Both offer optional top cushions; top cushions available in dark gray or celestial blue upholstery
- Mobile pedestals offer sufficient additional storage space that can easily be tucked under a desk or to the side
- Laminate pedestals come standard with two locking casters; metal pedestals come standard with four adjustable glides

### OPTIONAL ACCESSORIES



#OSWR3006  
(PU Casters - Set of 4)  
(2 Locking & 2 Non-Locking)



#OSWR3007  
(N-Shaped Connectors)  
(Pack of 10 - Chrome Only)



#OSWR3005  
Chrome Only



#OSWR3001  
Chrome or Black

**AVAILABLE  
IN 36" OR 48"  
WIDTHS & 18"  
OR 24" DEPTHS  
AT 72"H**

**QUICK & EASY  
ASSEMBLY WITH NO  
TOOLS REQUIRED!**

## HEAVY-DUTY RACKS

- Ideal for classrooms or janitorial storage
- Heavy-duty steel construction supports heavy loads with ease
- Each shelf holds up to 650 lbs. when weight is evenly distributed
- Features (4) adjustable leveling feet for stability on uneven surfaces
- Available in black or chrome metal finishes
- NSF Certified for safe dry food storage

# STORAGE

## LATERAL FILES

AVAILABLE IN  
9 LAMINATE FINISHES!



#OS112



#OS183



#OS184

ADDITIONAL MODERN  
PULL OPTIONS AVAILABLE



#OS114

## OS LAMINATE LATERAL FILES

- Various different sizes to accommodate any need in any educational setting
- Great for administrative offices & libraries
- Available in a variety of nine elegant laminate finishes with various pull options
- Available in 2, 3, & 4 Drawer models; plus one combination lateral file

**SAFETY FEATURES  
INCLUDE COUNTER WEIGHTS  
& AN INTERLOCK SYSTEM TO  
PREVENT TIPPING**

## OPTIONAL ACCESSORIES

### DOUBLE RAIL HANGING



### REPLACEMENT LOCK CORE



### MASTER KEY



#OS8364

#OS8365

#OS8363

#OS8362

## METAL LATERAL FILES

The Lateral File Collection is built tough to withstand the rigors of any office environment. Made with heavy-duty steel construction, these designer Lateral Files are built to last. Available in 2, 3, 4 and 5 Drawer models.

# STORAGE

## STEEL LATERALS & WARDROBES



**VARIOUS OTHER SIZES  
& FINISHES AVAILABLE!**

### STEEL LATERAL FILES

- Heavy-duty use that looks great in any educational setting, perfect for record keeping & administrative duties
- Commercial grade ball-bearing suspension allows fully loaded drawers to open with ease
- Fully assembled, steel construction with non-porous surface that is easy to clean
- Reinforced base construction and drawer interlock system to inhibit tipping over



TEMPERED GLASS  
CABINET DOOR

(#OS150151SGD Sold Separately)



### LAMINATE CABINETS & WARDROBE

Looking for a convenient way to store away files, books, supplies, or even coats and shoes? The Storage and Wardrobe Cabinet Collection is the perfect way to remove clutter from your office and give you that much deserved working space that you need to be productive. Available in different wood finishes, these cabinets will not only be efficient and useful, but they will also look good and compliment any office space.

# STORAGE

## STEEL STORAGE CABINETS



#QOSSC3642



#OSSC3672



#QSOSZ3672

## STEEL STORAGE CABINETS

- Industrial grade, fully welded steel construction with a painted, non-porous surface that is easy to clean & disinfect
- 180 lb. weight capacity per shelf
- Shelves are adjustable in 1" increments
- Recessed handles with core-removable, 3-point locking system for extra security
- GreenGuard Gold Certified; ANSI/BIFMA Rated; TAA Compliant
- Available in three finish options; putty, light gray & black; Quickship capable
- Optional dolly available



#QSOSFW3672



#QSOSWD3672



#QSOFJ3672

### OPTIONAL DOLLY



#QOSSCDOLLY

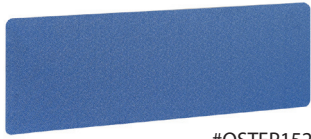
**CABINETS HAVE FRONT LEVELERS  
& FACTORY INSTALLED FLUSHED HANDLES!**



# ACCESSORIES

## ACRYLIC SHIELDS & BOARDS

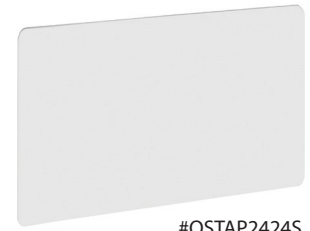
### FABRIC & ACRYLIC SHIELDS *AVAILABLE IN VARIOUS SIZES!*



#OSTFP1524



#OSTAP1524S



#OSTAP2424S

### SAFEGUARD BARRIERS

OfficeSource Safeguard Barrier is a complete social distancing solution. Safeguard barriers are completely sanitizable. These panels are quick and easy to install while improving the feeling of working in a safe and healthy environment. At the same time, they help maintain that sense of collaboration and togetherness that is so important to feel good and happy.



FABRIC



FROSTED ACRYLIC

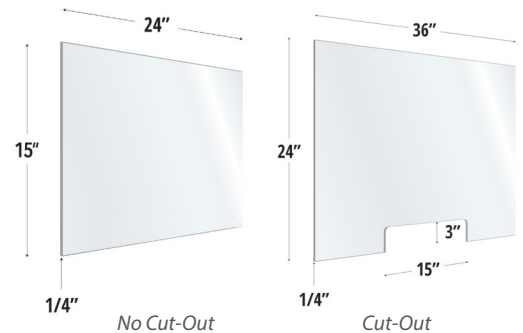


CLEAR ACRYLIC

**Cleaning Instructions:** Acrylic can be safely cleaned and disinfected with most non-abrasive cleaners such as:

- Windex is considered a harsh and abrasive substance on acrylic.
- Recommended cleaning solution is Dawn or equal dish soap with warm water used with a soft/Microfiber cloth.

**WE OFFER TRANSACTION CUT-OUTS ON CLEAR ACRYLIC SHIELDS ONLY**



### TWO-TIER SHIELDS



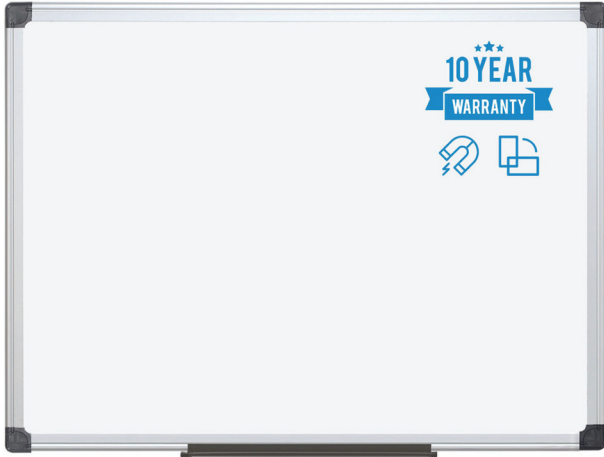
#LHI6153L



# ACCESSORIES

## VIZUAL MARKER BOARDS

### MAGNETIC STEEL DRY-ERASE



#OS05071MS / #OS21071MS / #OS27071MS

### MAGNETIC GLASS DRY-ERASE



#QSOSL0701MG / #OS0801MG / #OS1201MG / #OS2501MG

## VIZUAL

OfficeSource's ViZual allows you to communicate visually with our assortment of magnetic and dry-erase boards. Present, take notes, plan and/or draw your vision and let others see your work on the wall. These boards come in several sizes and two different surfaces (steel dry-erase & glass) to accommodate any workspace. With the ability to be used or mounted anywhere, these boards will be of great use for your classroom, conference, training or seminar needs.

### MAGNETIC GLASS MOBILE EASEL



#QSOS4850MG

### DOUBLE-SIDED DRY-ERASE

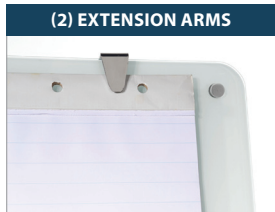


#OSR5507MD

ADJUSTS 67"-75" TALL



(2) EXTENSION ARMS



PEN & ACCESSORY TRAY



ADJUSTABLE EASEL CLIPS



### OS POWER STRIP

- (6) AC outlets
- Daisy chainable with OSAC4003 & OSAC4004
- Includes undermounting brackets for application
- Available in silver finish only



*Mounts Underneath Your Desk Top*



*Easily Daisy Chain With OSAC4004*



### OS POWER MODULE

- (3) AC outlets
- (1) USB-A & (1) USB-C
- Comes with C-Clamp & undermount brackets for application positioning
- Available in either black or white colors

DESK MOUNT



UNDERMOUNT



**ADD THIS TO STUDY HALLS OR LIBRARIES SO YOUR STUDENTS CAN CHARGE THEIR ELECTRONIC DEVICES OR USE THEIR STORAGE DEVICES WHILE THEY LEARN!**



*Charge Your Phone!*

### WIRELESS CHARGER

- Convenient, portable Qi certified wireless charger comes with (1) USB-C cord and power block
- Provides 15W max output of fast wireless charging
- Slim .4" profile
- Compatible with most devices that have wireless charging capability including phones, tablets, etc.
- Available in black only



